

Fig. 1

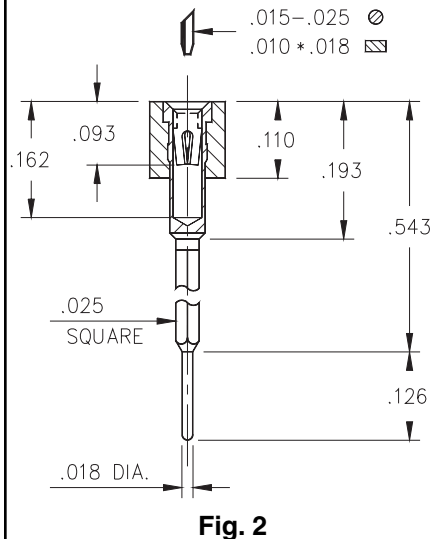


Fig. 2

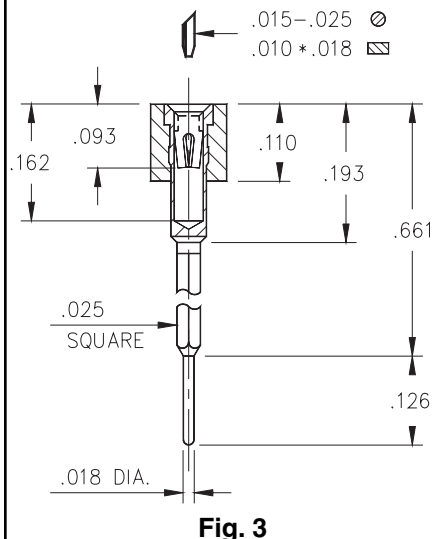


Fig. 3

- Wrapost / Solder tail combinations are available in 3 lengths using MM pin numbers:
 326...001 uses pin # 2601
 326...002 uses pin # 2602
 326...003 uses pin # 2603
 See page 163 for details.
- Hi-Rel, 4-finger BeCu #30 contact is rated at 3 amps. See page 208 for details.
- Insulators are high temp. thermoplastic.



Ordering Information

Fig. 1	Series 326...001
	326-XX-1__-41-001000 Specify # of pins → 01-64
Fig. 2	Series 326...002
	326-XX-1__-41-002000 Specify # of pins → 01-64
Fig. 3	Series 326...003
	326-XX-1__-41-003000 Specify # of pins → 01-64



XX=Plating Code
See Below

For RoHS compliance
 select ◊ plating code.

SPECIFY PLATING CODE XX=	13◊	93	43◊
Sleeve (Pin)	10μ" Au	200μ" Sn/Pb	200μ" Sn
Contact (Clip)	30μ" Au	30μ" Au	30μ" Au